



**GDD** 低噪声管道式离心泵  
LOW NOISE INLINE PUMP TYPE

产品执行标准：JB/T 6878

## 用途

GDD型泵是管道式安装的立式单级(单吸或双吸)清水离心泵，由于采用了低转速电机，大幅度降低了运行噪音及振动，延长了轴承及其易损件的使用寿命。本型泵效率高，已获得中国节能产品称号。

广泛应用于工农业给排水、自来水加压、高层建筑生活供水以及中央空调、暖气循环系统中冷冻水及暖水的输送。

## APPLICATIONS

The type of GDD is the vertical single stage (single suction or double suction) inline centrifugal pumps for clean water. They are coupled with low speed motors, the low speed motor can decrease the operating noise and operating vibration, prolong the lifetime of the bearings and wear parts. This type of pumps are high efficiency pumps, it has obtained title of China energy-saving products.

GDD pumps are widely used in industry and agriculture water supply and drainage, water boosting, water supply for high building, central air-conditioning, heating system circulation for cool water or hot water transportation.

## 输送介质

主要供吸送清洁的、无腐蚀的清水及物理化学性质类似水不含固体颗粒或纤维的液体。

## MEDIUM

GDD pumps are for clean water or the liquid similar to clean water in chemical and physical and the water without solid particles or fibers.

## 性能范围

性能	1450r/min	980r/min
流量	3.5-2340m <sup>3</sup> /h	
扬程	5-71m	
功率	0.55-200kW	

## PERFORMANCE RANGE

Speed	1450r/min	980r/min
Capacity	3.5-2340m <sup>3</sup> /h	
Head	5-71m	
Power	0.55-200kW	

## 工作条件

最高工作温度：0-105℃

最大工作压力：1.6Mpa

## OPERATING CONDITION

Maximum working temperature: 0-105℃

Maximum working pressure: 1.6MPa

## 泵说明

采用专门设计制造的低转速低噪声电动机驱动，电机和叶轮等转动部件作了平衡试验，特别适用于对环境噪音要求高的场合。该型小功率泵的叶轮直接安装在电机加长轴上，叫大功率的泵采用夹式联轴器与电机连接。拆开泵盖和叶轮时不需拆卸吸进和排出管路即可更换密封和叶轮。

出水口处于同一轴线上，而且口径相同，可以像阀门一样安装在管路上，安装方便简单。

## PUMP INSTRUCTION

The low noise and low speed motors are designed specially, the rotor parts of the motor are balanced, such kind of pumps are suitable for the environment which requires low noise condition. If the small power, the impeller of pumps are assembled to the motor shaft, if the more power, the pumps and motors are connected with clamp couplings. It doesn't have to remove the inlet and outlet pipeline when disassembling the pump cover and impeller.

The inlet and outlet are in the same axis and same diameter. It is like a valve assembling in the pipeline, easy installation.

## 旋转方向

从电机往泵方向看，水泵为顺时针方向旋转。

## ROTATION DIRECTION

It is clockwise when it is viewed from motor side.

## 配置

电动机配用特别设计的加长轴高效立式低速低噪声电机，联轴器为标准高效电机，在尺寸上和功率等级上符合IEC和DIN42673标准，运行平稳、安装方便。

## CONFIGURATION

It is matched with prolong shaft vertical low noise motor, the standard high efficiency motor is with coupling. It conforms to IEC and which is high efficiency DIN42673 in size and power degree.

## 电机参数

防护等级：IP55, IP54

绝缘等级：F

标准电压：380V

▲客户如对电机有特殊要求，在订货时提出。

## MOTOR PARAMETERS

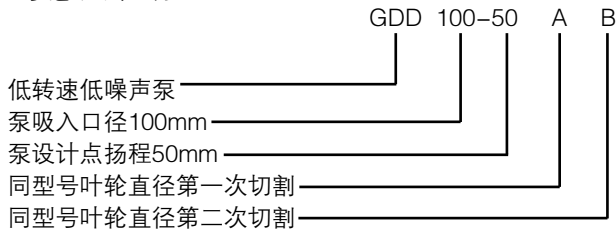
Protection Class: IP55, IP54

Insulation Class: F

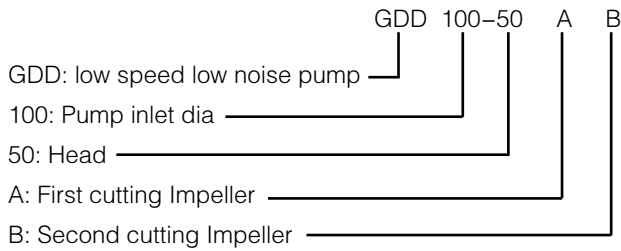
Standard Voltage: 380V

▲ If customers have any special requirements, requirements should be stated in the contract.

## 型号意义说明

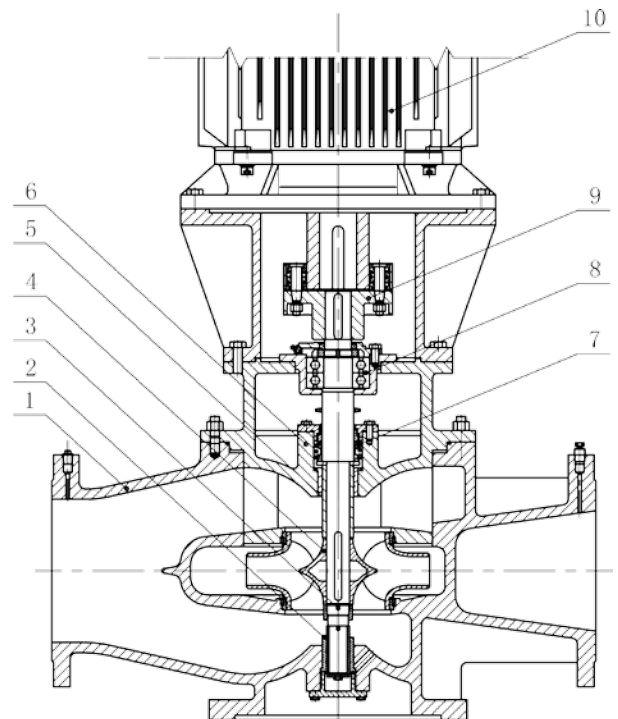


## MODEL DESIGNATION

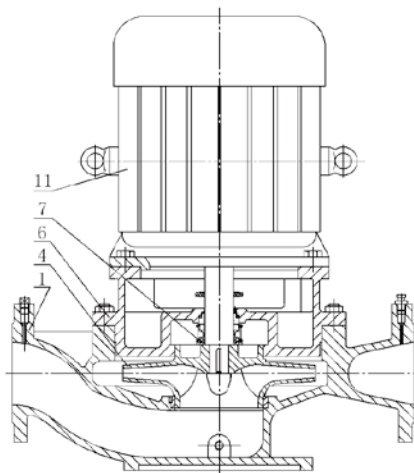


## 主要零件和结构图

### MAIN PARTS AND STRUCTURAL DRAWING:



联轴器式结构  
The coupling structure



直联式结构  
Direct connection type structure

序号 No.	零件 Spare parts	材料 Material
1	泵体 Pump casing	铸铁 Cast iron
2	下轴承 Lower bearing	铜合金 Aldary
3	轴 Shaft	2Cr13
4	叶轮 Impeller	铸铁/铜 Cast iron/bronze
5	上轴承 Upper bearing	铜合金 Aldary
6	泵盖 Pump cover	铸铁 Cast iron
7	机械密封 Mechanical seal	石墨/碳化硅 Graphite/SiC
8	深沟球轴承 Ball bearing	轴承钢 Bearing steel
9	弹性联轴器 Coupling	铸铁 Cast iron
10	电机座 Motor cabinet	铸铁 Cast iron
11	高效电机 High efficiency motor	

## 性能表 PERFORMANCE TABLE

型号 Model	流量 Q Capacity Q		扬程 Head H (m)	转速 Rotation Speed n (r/min)	轴功率 Brake Power Pa (kW)	配电机 Motor Power (kW)	泵效率 Efficiency η (%)	汽蚀余量 (NPSH)r (m)	重量 Weight (kg)
	m <sup>3</sup> /h	l/s							
GDD32-5	6.3	1.74	5	1450	0.16	0.55	54	2.5	36
GDD32-8	6.3	1.74	8	1450	0.29	0.55	48	2.5	38
GDD32-12.5	3.75	1.04	13	1450	0.41	0.75	33	2.0	48
	6.3	1.74	12.5		42				
	7.5	2.08	11		44				
GDD32-20	3.75	1.04	21	1450	0.91	1.5	23	2.0	70
	6.3	1.74	20		32				
	7.5	2.08	19		35				
GDD32-20A	3.5	0.97	18	1450	0.78	1.1	22	2.0	66
	5.9	1.63	17		30				
	7.0	1.94	16		33				
GDD40-5	12.5	3.47	5	1450	0.27	0.55	62	2.5	38

**性能表 PERFORMANCE TABLE**

型号 Model	流量 Q Capacity Q		扬程 Head H (m)	转速 Rotation Speed n (r/min)	轴功率 Brake Power Pa (kW)	配电机 Motor Power (kW)	泵效率 Efficiency η (%)	汽蚀余量 (NPSH)r (m)	重量 Weight (kg)
	m <sup>3</sup> /h	l/s							
GDD40-8	12.5	3.47	8	1450	0.49	0.75	60	2.5	47
GDD40-12.5	7.5 12.5 15	2.08 3.47 4.17	13.2 12.5 11.5	1450	0.63 0.77 0.85	1.1	43 55 57	2.0 2.0 2.5	56
GDD40-12.5A	7 11.7 14	1.94 3.25 3.89	11.5 11 10	1450	0.52 0.64 0.67	0.75	43 55 57	2.0 2.0 2.5	51
GDD40-20	7.5 12.5 15	2.08 3.47 4.17	21 20 19	1450	1.23 1.48 1.65	2.2	35 46 48	2.0 2.0 2.5	78
GDD40-20A	7 11.7 14	1.94 3.25 3.89	18 17.5 16.5	1450	1 1.24 1.37	1.5	35 45 47	2.0 2.0 2.5	72
GDD40-30	7.2 12 14	2.08 3.47 3.9	32 30 28	1450	2.3 2.5 2.6	3	25 37 41	2.0 2.0 2.5	102
GDD40-30A	6.5 11 13	1.8 3.1 3.6	24.5 24 22	1450	1.75 1.96 2.1	2.2	24.7 36 40	2.0 2.0 2.5	97
GDD50-8	10.8 18 21.6	3 5 6	9.5 8 7	1450	0.58 0.65 0.71	1.1	48 60 58	2.0 2.5 3.0	62
GDD50-8A	9.5 16 18	2.6 4.4 5	8 7 6	1450	0.43 0.51 0.53	0.75	48 60 56	2.0 2.5 3.0	58
GDD50-12.5	10.8 18 21.6	3 5 6	13.2 12.5 11	1450	0.83 1.11 1.21	1.5	47 55 58	2.0 2.5 3.0	69
GDD50-12.5A	9.5 16 18	2.6 4.4 5	11.6 10.5 10	1450	0.65 0.84 0.92	1.1	53 46 54	2.0 2.5 3.0	64
GDD50-17	10.8 18 21.6	3 5 6	19 17 14	1450	1.87 1.7 1.83	2.2	36 49 45	2.0 2.5 3.0	79
GDD50-20	10.8 18 21.6	3 5 6	23 21 18	1450	1.78 2.18 2.42	3	37 50 47	2.0 2.5 3.0	84
GDD50-30	10.8 18 21.6	3 5 6	33 30 25	1450	2.31 2.82 2.94	4	42 52 50	2.0 2.5 2.8	115
GDD50-30A	9.5 17 20.5	2.9 4.7 5.7	29 26 21.5	1450	1.83 2.36 2.44	3	41 51 49	2.0 2.5 3.0	104
GDD65-8	15 25 30	4.17 6.94 8.33	9 8 7.2	1450	0.67 0.79 0.86	1.5	55 69 68	2.5 2.5 3.0	71
GDD65-12	15 25 30	4.17 6.94 8.33	13.2 12.5 11.5	1450	1.06 1.31 1.44	2.2	51 65 67	2.5 2.5 3.0	82
GDD65-12A	14 23.4 28	3.89 6.5 7.78	11.5 11 10	1450	0.89 1.1 1.2	1.5	50 64 66	2.5 2.5 3.0	76
GDD65-20	15 25 30	4.17 6.94 8.33	21 20 18.8	1450	1.75 2.27 2.52	3	49 60 61	2.5 2.5 3.0	96
GDD65-20A	14 23.4 28	3.89 6.5 7.78	18.4 17.5 16.4	1450	1.44 1.86 2.12	2.2	49 60 59	2.5 2.5 3.0	91
GDD65-32	15 25 30	4.17 4.94 8.33	33 32 31	1450	3.4 4.19 4.6	5.5	39 52 56	2.5 2.5 3.0	126
GDD65-32A	14.3 23.8 28.5	3.97 6.61 7.97	29.5 28.5 26	1450	3.06 3.72 4.09	5.5	38 51 55	2.5 2.5 3.0	125
GDD65-32B	13.6 22.7 27.2	3.77 6.3 7.56	27 25 23	1450	2.54 3.13 3.45	4	38 51 55	2.5 2.5 3.0	103
GDD80-8	50	13.9	8	1450	1.47	2.2	75	3.0	96
GDD80-12	30 50 60	8.33 13.8 16.7	13.3 12.5 11.8	1450	1.84 2.33 2.61	4	60 73 74	2.0 2.5 3.0	110
GDD80-12A	28 46.8 56	7.83 13 15.3	11.9 11 10	1450	1.52 1.92 2.16	3	60 73 74	2.0 2.5 3.0	99

# GDD型低噪声管道式离心泵 GDD LOW NOISE INLINE PUMP

4

性能表 PERFORMANCE TABLE

型号 Model	流量 Q Capacity Q		扬程 Head (m)	转速 Rotation Speed n (r/min)	轴功率 Brake Power Pa (kW)	配电机 Motor Power (kW)	泵效率 Efficiency η (%)	汽蚀余量 (NPSH)r (m)	重量 Weight (kg)	
	m <sup>3</sup> /h	l/s								
GDD80-20	30	8.33	23	1450	3.16	5.5	55	2.0	146	
	50	13.8	20		4		68	2.5		
	60	16.7	15		4.44		70	3.0		
GDD80-20A	32	7.78	20	1450	1.16	4	54	2.0	128	
	46	13	17		3.28		68	2.5		
	56	15.6	15		3.63		70	3.0		
GDD80-20B	25.6	7.1	15.5	1450	2.04	3	54	2.0	119	
	42.8	11.8	14.5		2.54		67	2.5		
	51.1	14.2	13.5		2.74		69	3.0		
GDD80-32	30	8.33	34	1450	5.44	11	51	2.0	230	
	50	13.9	32		6.92		63	2.5		
	60	16.7	30		7.67		64	3.0		
GDD80-32A	28.7	7.97	31	1450	4.74	7.5	51	2.0	175	
	47.7	13.1	28.5		6		63	2.5		
	57.5	16.1	27		6.7		64	3.0		
GDD80-32B	25.7	7.14	25	1450	3.5	5.5	50	2.0	162	
	42.9	11.9	23.5		4.5		61	2.5		
	51.6	14.3	22		5		62	3.0		
GDD100-12	60	16.7	14.5	1450	3.83	5.5	62	2.5	158	
	100	27.8	12.5		4.48		76	2.5		
	120	33.3	11		4.79		75	3.0		
GDD100-12A	56	15.6	12.8	1450	3.17	4	62	2.5	141	
	93.5	26	11		3.7		76	2.5		
	112	31.1	9.7		3.96		75	3.0		
GDD100-12B	52	14.4	11	1450	2.68	4	58.7	2.5	140	
	88	24.4	9.5		3.15		72	2.5		
	105	29.1	8.3		3.35		71	3.0		
GDD100-15	81.2	22.6	17.5	1450	5.65	7.5	68.4	3.0	175	
	125	34.7	15.5		6.44		82			81
	134	37.2	14.8		6.66					
GDD100-19	60	16.7	21	1450	5.44	7.5	63	2.5	178	
	90	27.8	19		6.12		76	2.5		
	120	33.3	15		6.36		77	3.0		
GDD100-19A	50	13.9	17	1450	3.73	5.5	62	2.5	165	
	80	22.2	15		4.35		75	2.5		
	110	30.6	11.5		4.53		76	3.0		
GDD100-21	39	10.8	24	1450	3.98	5.5	64	2.5	164	
	60	16.7	21		4.7		73	2.5		
	75	20.8	16		4.74		69	3.0		
GDD100-23	60	16.6	25	1480	7.16	15	57	2.5	237	
	122	33.9	23		10.9		67	2.5		
	144	40	20		13.1		60	3.5		
GDD100-34	60	16.6	36	1480	8.44	18.5	70	3.0	276	
	100	27.8	34		11.9		78			
	120	33.3	31		13.5		75			
GDD100-32	60	16.7	34	1480	9.58	15	70	2.5	283	
	90	25	32		10.7		78	2.5		
	120	33.3	29		12.88		75	3.0		
GDD100-32A	60	16.7	31	1480	7.34	11	69	2.5	270	
	90	25	28		9.03		76	2.5		
	115	33.3	25.5		10.5		74	3.0		
GDD100-32B	48	13.9	23	1480	4.56	7.5	66	2.5	225	
	76	22.2	20		5.91		70	2.5		
	100	30.6	17		6.81		68	3.0		
GDD100-50	60	16.7	52	1480	16.1	30	53	2.5	441	
	100	27.8	50		21		65	2.5		
	120	33.3	47		23.6		67	3.0		
GDD100-50A	56	15.6	46	1480	13.2	22	53	2.5	384	
	93.6	26	44		17.5		64	2.5		
	112	31.2	41		19.6		67	3.0		
GDD100-50B	54.6	15.2	40	1480	11.2	18.5	51	2.5	366	
	90	25.2	38		14.6		63	2.5		
	108	30	35		16.4		65	3.0		
GDD100-50C	53	14.7	36	1480	9.19	15	56.5	3.0	326	
	75.5	20.9	34		10.9		64			
	90.5	25.1	31.5		11.8		65.5			
GDD125-22	95	26.4	24.5	1480	9.18	15	69	3.5	278	
	148	41.1	22		11.3		78			
	180	50	20		12.9		76			
GDD125-20	110	31.1	23	1480	9.4	15	71	2.5	277	
	160	44.4	20		11.31		77	2.5		
	200	55.6	17		12.3		75	3.5		
GDD125-20A	104	28.8	20	1480	8.1	11	70	2.5	264	
	150	41.6	17		9.1		77	2.5		
	190	52.7	15		10.4		75	3.5		
GDD125-34	90	25	36.5	1480	13.8	22	65	3.5	358	
	148	41.1	34		18.3		75			
	172.8	48	30		19.6		72			
GDD125-32	110	30.6	36	1480	15	22	72	2.5	356	
	160	44.4	32		18.3		76	2.5		
	200	55.6	28		20.5		74.5	3.5		

**性能表 PERFORMANCE TABLE**

型号 Model	流量 Q Capacity Q		扬程 Head H (m)	转速 Rotation Speed n (r/min)	轴功率 Brake Power Pa (kW)	配电机 Motor Power (kW)	泵效率 Efficiency η (%)	汽蚀余量 (NPSH)r (m)	重量 Weight (kg)
	m <sup>3</sup> /h	l/s							
GDD125-32A	100 150 190	27.8 41.6 52.7	32 28 23	1480	12.3 15.3 16.1	18.5	71 75 74	2.5 3.0 3.5	340
GDD125-32B	90 140.4 180	25 39 50	29 25 20	1480	10.3 13.01 13.8	15	69 73 71	2.5 3.0 3.5	303
GDD125-50	110 160 200	30.6 44.4 55.6	55 50 45	1480	23.2 29 34.0	37	71 75 74	2.5 3.0 3.5	572
GDD125-50A	100 150 190	27.8 41.6 52.7	49 45 40	1480	19.1 24.7 28.7	30	70 74 72	2.5 3.0 3.5	530
GDD125-50B	90 140 168	26.4 40.2 51.4	43 37 33	1480	15.1 19.6 21	22	70 74 72	2.5 3.0 3.5	470
GDD150-22	144 225 288	40 62.5 80	23.5 22 18.5	1480	13.2 16.6 18.6	22	70 81 78	3.2	398
GDD150-20	120 200 240	33.3 55.6 66.7	22.5 20 17.5	1480	10.8 14 14.8	18.5	70 79 78	2.5 3.0 3.5	339
GDD150-20A	112 187 224	31.1 51.9 62.2	19.5 17 15	1480	8.7 11.3 12.3	15	70 80 78	2.5 3.0 3.5	329
GDD150-20B	108 180 216	30 50 60	18 15 13	1480	7.8 9.45 10.1	11	68 77.8 75.3	2.5 3.0 3.5	316
GDD150-32G	144 240 288	40 66.6 80	34 32 28	1480	19.1 26.5 27.5	30	70 79 80	3.2	442
GDD150-32	129 216 259.2	35.8 60 72	34 32 29	1480	17.1 23.8 25.5	30	70 79 80	2.5 3.0 3.5	441
GDD150-32A	112 187 224	31.1 51.9 62.4	30 28 25	1480	13.1 18.1 19.1	22	70 79 80	2.5 3.0 3.5	385
GDD150-32B	104 173 208	28.9 48.1 57.8	25.5 24 21.8	1480	10.5 14.5 15.6	18.5	60 78 79	2.5 3.0 3.5	367
GDD150-49	144 245 300	40 68.1 83.3	55 49 44	1480	32.7 43 49.9	55	66 76 72	3.2	732
GDD150-49A	144 245 300	40 68.1 83.3	52 45 38	1480	31.4 40 43.7	45	65 75 71	3.2	648
GDD150-50	120 200 240	33.3 55.6 66.7	53 50 46	1480	27.9 36.3 40.6	45	62 75 71	2.0 2.8 3.5	645
GDD150-50A	112 187 225	31.1 51.9 62.5	47 44 40	1480	23.2 30 33.1	37	62 75 74	2.0 2.8 3.5	613
GDD150-50B	104.6 173 209	29.1 48.1 58.1	40 38 35	1480	18.7 24.4 27.4	30	61 74 73	2.0 2.8 3.5	568
GDD200-24	200 300 360	55.6 83.3 100	26 24 21	1480	17.92 24.2 25.7	30	78 81 80	2.5 3.5 4.0	492
GDD200-24A	198 280 340	55.1 77.8 94.4	20 18 15	1480	14.2 17.1 16.9	22	76 80 82	2.5 3.5 4.0	432
GDD200-24B	168 250 300	46.7 69.4 83.3	17 15 13	1480	10.4 12.9 13.3	18.5	75 79 80	2.5 3.5 4.0	414
GDD200-32	200 300 360	55.6 83.3 100	33 32 30	1480	27.56 30.12 33.37	37	76.7 81.4 78.9	2.5 3.5 4.0	625
GDD200-32A	198 280 340	55.1 77.8 94.4	29 28 24	1480	20.57 26.52 28.49	30	76 80.4 78	2.5 3.5 4.0	582
GDD200-32B	200 300 360	55.6 83.3 100	26 24 21	1480	17.92 24.2 25.7	30	78 81 80	4.0	581
GDD200-48	200 300 360	55.6 83.3 100	51 48 43	1480	35.6 47.8 52.7	55	78 82 80	2.5 3.5 4.0	818
GDD200-48A	198 280 340	55.1 77.8 94.4	45 42 37	1480	31.51 39.53 43.36	45	77 81 79	2.5 3.5 4.0	771
GDD200-48B	168 250 300	46.7 69.4 83.3	40 37 32	1480	24.07 31.48 33.51	37	76 80 78	2.5 3.5 4.0	736

# GDD型低噪声管道式离心泵 GDD LOW NOISE INLINE PUMP

6

性能表 PERFORMANCE TABLE

型号 Model	流量 Q Capacity Q		扬程 Head (m)	转速 Rotation Speed n (r/min)	轴功率 Brake Power Pa (kW)	配电机 Motor Power (kW)	泵效率 Efficiency η (%)	汽蚀余量 (NPSH)r (m)	重量 Weight (kg)
	m³/h	l/s							
GDD250-20	240 400 460	66.7 111 130	22.6 20 17	1480	21.1 26.7 27.3	30	70 83 79	3.6 4.6 5.0	542
GDD250-20A	225 374.4 431	62.5 104 120	18.5 16 14	1480	15.96 19.63 21.01	22	71 82 78	3.0 3.5 4.0	486
GDD250-24	445 630 758	123.6 175 210.6	27.5 24 19	1480	40.9 49 50.3	55	80 84 78	4.2	706
GDD250-24A	420 600 725	116.7 166.7 201.4	22 20 17	1480	31.8 39.8 43.6	45	79 82 77	4.2	972
GDD250-26	240 400 480	66.6 111.1 133.3	34 30 25	1480	31.3 40.8 44.7	45	71 80 73	4.2	788
GDD250-32 (G250-32)	240 400 480	66.7 111 133.3	37 32 28.5	1480	34.6 42.5 44.6	55	70 82 80	3.0 3.5 4.0	945
GDD250-32A (G250-32A)	226 374 432	62.8 104 120	33 28 25	1480	29 35 41.6	45	70 82 80	3.0 3.5 4.0	898
GDD250-32B (G250-32B)	210 350 403	58.3 97.2 112	27.5 24 21.2	1480	23.3 28.6 30	37	67.4 79 77.5	3.0 3.5 4.0	863
GDD250-38	445 630 758	123.6 175 210.5	42 38 32	1480	66.97 75.55 83.62	90	76 83 79	5.0 6.2 6.5	1228
GDD250-38A	360 600 720	100 166.6 200	39 32 26	1480	53.9 64.12 67.1	75	71 80 76	5.0 6.2 6.5	1218
GDD250-40A	258 430 516	71.67 119.4 143.3	36 32 26.5	1480	38.3 46.8 51.7	55	66 80 72	5.0 6.2 6.5	1058
GDD250-50	240 400 460	66.7 111 128	55 50 45	1480	48.6 67.2 74.2	90	74 81 76	3.0 3.8 4.5	1138
GDD250-50A	228 380 437	63.3 105.5 121.4	49 44.5 40	1480	41.8 57.9 63.8	75	72.7 79.5 75.5	3.0 3.8 4.5	1123
GDD250-50B	210 340 401	58.3 96.1 111.4	42 38 34	1480	32.8 45.1 48.9	55	73 80 76	3.0 3.8 4.5	1098
GDD300-15	360 500 612	100 138.9 170	18.5 15 12	1480	22.39 24.03 25.64	30	81 85 78	6.2	712
GDD300-15A	324 468 576	90 130 160	16.5 12.5 10	1480	18.66 19.43 20.64	22	78 82 76	6.2	655
GDD300-22	518 792 940	143.9 220 261	25 22 18.5	1480	47.7 57.9 62.3	75	74 82 76	6.2	1257
GDD300-17	450 750 900	150 208.3 250	20 17 14	1480	36.04 43.4 44.6	55	68 80 77	6.2	1132
GDD300-17A	375 625 750	104.2 173.6 208.3	20 17 15	1480	32.4 37.1 40.3	45	63 78 76	6.2	1045
GDD300-24	360 500 612	100 138.9 170	27 24 17	1480	33.1 38.4 38.6	45	80 85 82	6.2	905
GDD300-24A	300 500 600	83.3 138.9 166.7	22 20 17	1480	22.5 32.8 34.7	37	80 83 80	6.2	884
GDD300-25	612 800 915	170 222.2 254.2	27 25 20	1480	56.3 64.1 66.5	75	80 85 75	4.0	1250
GDD300-25A	560 750 850	155.6 208.3 236.1	23 20 17	1480	45 49.2 51.8	55	78 83 76	4.0	1225
GDD300-25G	700 900 1100	194.4 250 305.6	27 25 20	1480	64.4 72 77	90	80 85 78	5.2	1265
GDD300-25GA	700 900 1100	194.4 250 305.6	22 20 17	1480	57.5 59.1 67	75	73 83 78	5.2	1250
GDD300-32	450 750 900	125 208.3 250	35 32 28	1480	61.3 81.7 88	90	67 80 78	6.2	1316
GDD300-32A	551 720 850	153.1 200 236.1	31 26 23	1480	58.15 60.69 67.39	75	80 84 79	5.2	1301

# GDD型低噪声管道式离心泵 GDD LOW NOISE INLINE PUMP

7

性能表 PERFORMANCE TABLE

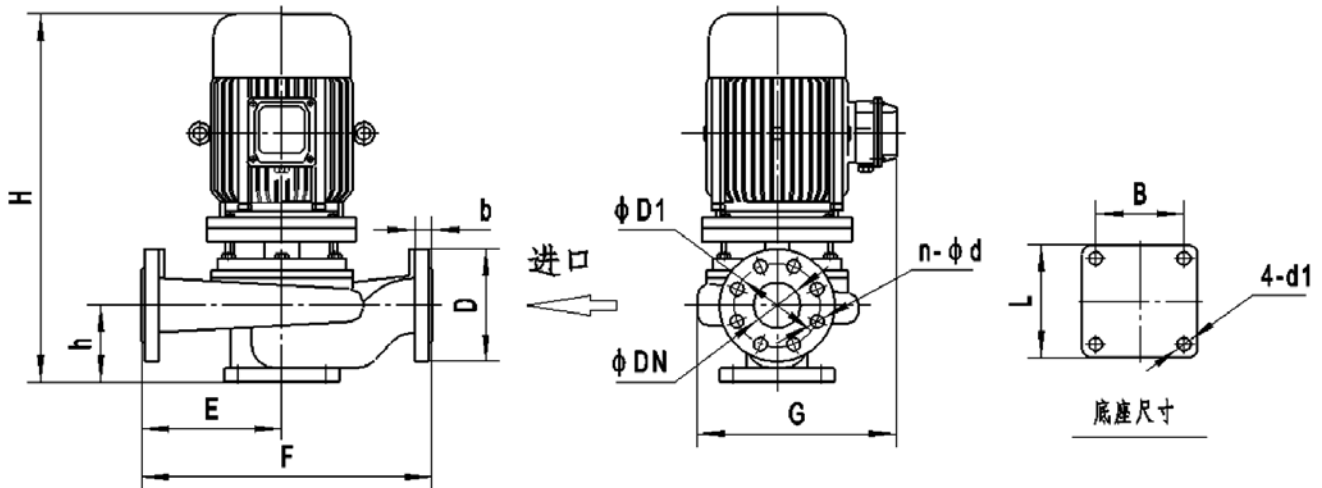
型号 Model	流量 Q Capacity Q		扬程 Head (m)	转速 Rotation Speed n (r/min)	轴功率 Brake Power Pa (kW)	配电机 Motor Power (kW)	泵效率 Efficiency η (%)	汽蚀余量 (NPSH)r (m)	重量 Weight (kg)
	m³/h	l/s							
GDD300-38F	612 800 915	170 222.2 254.2	42.5 38 32.5	1480	76.5 97.4 98.8	110	81 85 82	5.2	1610
GDD300-38FA	540 765 850	150 212.5 236.1	36 32 28	1480	66.2 79.4 83.1	90	80 84 78	5.2	1326
GDD300-38G	700 900 1100	194.4 250 305.6	42 38 33	1480	97.6 112 118	132	82 83 84	4.5	1764
GDD300-38GA	700 900 1100	194.4 250 305.6	37 32 26	1480	89.3 94.5 97.4	110	79 83 80	4.5	1715
GDD300-40	360 500 612	100 138.9 170	43.5 40 33.5	1480	56.11 65.62 70.67	75	76 83 79	6.2	1174
GDD300-40A	324 468 576	90 130 160	36.5 31.5 26	1480	41.82 49.56 51	55	77 81 80	6.2	1053
GDD300-50	445 630 758	123.6 175 210.5	53 50 46	1480	80.28 100.9 126.6	132	80 85 75	6.2	1856
GDD300-50A	420 600 725	116.6 166.6 201.3	45 42 38	1480	72.49 83.69 102.8	110	71 82 73	6.2	1807
GDD300-65	360 500 612	100 138.9 170	71 65 56	1480	92.8 108.7 129.6	132	75 79 72	6.2	1888
GDD300-65A	324 468 576	90 130 160	61 54 50	1480	76.8 89.4 98	110	74 77 75	6.2	1838
GDD350-17	750 1250 1500	208.3 347.2 416.7	21 17 12	1480	71.5 82.7 84.5	90	60 70 58	6.2	1410
GDD350-17A	600 1000 1200	166.7 277.8 333.3	21 17 14	1480	64.8 68.1 70.4	75	53 68 65	6.2	1395
GDD350-20	612 800 935	170 222.2 259.7	23 20 16	1480	47.9 50.1 51.57	55	80 87 79	4.8	1158
GDD350-20A	504 720 829	140 200 230.2	20 17 14	1480	37.6 40.6 41	45	73 82 77	4.8	1113
GDD350-26	972 1260 1440	270 351 400	32 26 22	1480	99.7 101.5 105	110	85 87 83	4.8	1810
GDD350-26A	864 1116 1296	240 310 360	26 21.5 16	1480	76.5 78.8 80	90	80 83 75	4.8	1685
GDD350-32	900 1200 1400	250 333.3 400	35 32 26	1480	115.9 134 135.9	160	74 78 75	6.2	1930
GDD350-32A	819 1092 1310	227.5 303.3 364	31 28 23	1480	96 109.5 112.4	132	72 76 73	6.2	1856
GDD350-32B	745 1000 1200	207 277.8 333.3	27 25 20	1480	78.3 92 92.1	110	70 74 71	6.2	1765
GDD350-44	972 1260 1476	270 350 410	50 44 37	1480	164 177.4 189	200	81 87 79	4.5	2566
GDD350-44A	864 1200 1332	240 333 370	41 36 30	1480	121 131 136	160	80 84 80	4.5	2465
GDD350-44B	900 1200 1300	250 333 361	35 30 28	1480	110 118.5 125.5	132	78 82 76	4.5	2385
GDD400-12.5	1200 1600 1900	333.3 444.4 527.8	14 12.5 10.5	980	58 64.8 67	75	78 84 81	6.5	1626
GDD400-12.5A	1092 1456 1720	303.3 404.4 480.5	12 10.5 9	980	45.7 50.1 52.3	55	78 83 80	6.5	1429
GDD400-20	1200 1600 1900	333.3 444.4 527.8	23 20 15	1480	92.8 102.5 104.8	110	81 85 74	6.5	1886
GDD400-20A	1092 1456 1720	303.3 404.4 480.2	19.5 17 13	1480	72.5 80.2 83.1	90	80 84 73	6.5	1825
GDD400-32	1200 1600 1900	333.3 444.4 527.8	35 32 26	1480	142.9 164 172.4	200	80 85 78	6.5	2360



性能表 PERFORMANCE TABLE

型号 Model	流量 Q Capacity Q		扬程 Head H (m)	转速 Rotation Speed n (r/min)	轴功率 Brake Power Pa (kW)	配电机 Motor Power (kW)	泵效率 Efficiency η (%)	汽蚀余量 (NPSH)r (m)	重量 Weight (kg)
	m <sup>3</sup> /h	l/s							
GDD400-32A	1092	303.3	30	1480	112.9	160	79	6.5	2289
	1456	404.4	27.5		129.8		84		
	1720	480.2	22.5		137.6		77		
GDD400-32B	994	276	26	1480	91.1	132	77	6.5	2021
	1325	368	23.5		103.4		82		
	1573	437.1	19		108.5		75		
GDD500-13	1620	450	15	980	83.8	110	79	5.7	2650
	2020	561.1	13		86.2		83		
	2340	650	10.4		82.8		80		
GDD500-22	1620	450	24.5	980	140.4	160	77	5.7	3652
	2020	561.1	22		144.1		84		
	2340	650	19.4		145.4		85		
GDD500-22A	1400	389	20	980	103	132	74	5.7	3586
	1746	485	17		101		80		
	2020	561.1	15		105.8		78		
GDD500-27	1620	450	31	980	166.8	200	82	5.7	4122
	2020	561.1	27		174.7		85		
	2340	650	21		183.3		73		

外形及安装尺寸 INSTALLING DIMENSIONS



型号 Model	外形尺寸 Outline dimensions								法兰尺寸 Flange size			
	h	H	L	B	φd <sub>1</sub>	E	F	G	φD <sub>1</sub>	φD	b	n-d
GDD32-5	83	418	163X120	140X95	10	140	280	270	100	140	18	4-17.5
GDD32-8	100	440	165	140	12	160	320	270	100	140	18	4-17.5
GDD32-12.5	100	471	165	140	12	180	360	300	100	140	18	4-17.5
GDD32-20	105	513	220	190	14	241	482	315	100	140	18	4-18
GDD32-20A	105	488	220	190	14	241	482	315	100	140	18	4-18
GDD40-5	120	410	190	160	14	150	310	270	110	150	18	4-17.5
GDD40-8	145	485	230x180	195x140	14	160	340	300	110	150	18	4-17.5
GDD40-12.5	110	488	200	170	14	190	380	345	110	150	18	4-19
GDD40-12.5A	110	476	200	170	14	190	380	345	110	150	18	4-19
GDD40-20	105	540	220	190	14	225	450	350	110	150	18	4-17.5
GDD40-20A	105	505	220	190	14	225	450	350	110	150	18	4-17.5
GDD40-30(A)	110	550	250	220	14	250	510	410	110	165	18	4-18
GDD50-8(A)	105	480(460)	200	170	14	190	400	310	125	165	20	4-19
GDD50-12.5	160	512	250	215	14	180	390	350	125	165	23	4-17.5
GDD50-12.5A	160	487	250	215	14	180	390	350	125	165	23	4-17.5
GDD50-17	105	540	220	190	14	225	450	410	125	165	20	4-17.5
GDD50-20	105	540	220	190	14	225	450	410	125	165	20	4-17.5
GDD50-30	110	575	220	190	14	250	510	410	125	165	20	4-18
GDD50-30A	110	555	220	190	14	250	510	410	125	165	20	4-18
GDD65-8	125	535	200	170	14	200	400	300	145	185	20	4-19
GDD65-12	120	565	220	190	14	225	450	320	145	185	20	4-19
GDD65-12A	120	505	220	190	14	225	450	320	145	185	20	4-19

型号 Model	外形尺寸 Outline dimensions								法兰尺寸 Flange size			
	h	H	L	B	φd <sub>1</sub>	E	F	G	φD <sub>1</sub>	φD	b	n-d
GDD65-20	120	565	200	170	14	270	540	315	150	185	20	4-18
GDD65-20A	120	565	200	170	14	270	540	315	150	185	20	4-18
GDD65-32	135	665	260	260	14	290	590	420	145	185	20	4-18
GDD65-32A	135	665	260	230	14	290	590	420	145	185	20	4-18
GDD65-32B	135	600	260	260	14	290	590	420	145	185	20	4-18
GDD80-8	160	630	220	180	18	220	460	360	160	200	22	8-19
GDD80-12(A)	135	600(580)	220	190	14	240	480	350	160	200	22	8-18
GDD80-20	130	660	250	215	14	250	515	410	160	200	22	8-19
GDD80-20A	130	595	250	215	14	250	515	410	160	200	22	8-19
GDD80-20B	130	575	250	215	14	250	515	410	160	200	22	8-19
GDD80-32	155	815	275	240	14	280	565	480	160	200	22	8-17.5
GDD80-32A	155	725	275	240	14	280	565	480	160	200	22	8-17.5
GDD80-32B	155	685	275	240	14	280	565	480	160	200	22	8-17.5
GDD100-12	170	700	270	230	14	280	565	410	180	220	24	8-19
GDD100-12A(B)	170	655	270	230	14	280	565	410	180	220	24	8-19
GDD100-15	140	710	300	260	14	280	580	420	180	220	24	8-18
GDD100-19	140	710	300	260	14	280	580	420	180	220	24	8-18
GDD100-19A	140	670	300	260	14	280	580	420	180	220	24	8-18
GDD100-21	140	670	300	260	14	280	580	420	180	220	24	8-19
GDD100-23	140	785	300	260	14	280	580	430	180	220	24	8-17.5
GDD100-32(A)	155	860(815)	300	260	14	315	650	500	180	220	24	8-18
GDD100-32B	155	730	300	260	14	315	650	500	180	220	24	8-18
GDD100-50(A)	200	1050	320	260	22	360	720	580	180	220	24	8-17.5
GDD100-50B(C)	200	985	320	260	22	360	720	580	180	220	24	8-17.5
GDD125-20(A)	190	896(851)	280	240	18	330	690	520	210	250	26	8-17.5
GDD125-32(A/B)	200	985	300	240	18	360	760	560	210	250	26	8-18
GDD125-34	210	945	360	240	24	365	780	560	210	250	30	8-19
GDD125-50	210	1064	360	300	24	365	780	660	210	250	30	8-19
GDD125-50A(B)	210	1049(984)	360	300	24	365	780	660	210	250	30	8-19
GDD150-20	205	1042	280	240	18	355	715	550	240	285	26	8-22
GDD150-20A(B)	205	912(867)	280	240	18	355	715	550	240	285	26	8-22
GDD150-22	205	1082	280	240	14	355	715	550	240	285	26	8-22
GDD150-32G	205	1049	360	300	14	355	735	600	240	285	28	8-23
GDD150-32	204	1049	360	300	20	355	735	600	240	285	28	8-22
GDD150-32A(B)	204	1044	360	300	20	355	735	600	240	285	28	8-22
GDD150-49	210	1784	360	300	22	400	850	650	240	285	30	8-22
GDD150-49A	210	1699	360	300	22	400	850	650	240	285	30	8-22
GDD150-50	210	1699	360	300	24	400	850	650	240	285	26	8-23
GDD150-50A(B)	210	1574(1659)	360	300	24	400	850	650	240	285	26	8-23
GDD200-24	230	1125	400	320	23	380	800	590	295	340	30	12-23
GDD200-24A(B)	230	1080(1050)	400	340	23	380	800	590	295	340	30	12-23
GDD200-32	245	1205	400	320	24	400	850	700	295	340	30	12-22
GDD200-32A(B)	245	1065	400	320	24	400	850	700	295	340	30	12-22
GDD200-48	260	1726	450	360	27	450	950	730	295	340	30	12-22
GDD200-48A(B)	260	1135	450	360	27	450	950	730	295	340	30	12-22
GDD250-20(A)	280	1060	380	300	28	450	900	610	355	405	32	12-28
GDD250-24(A)	265	1626(1620)	460	400	28	550	1100	630	355	405	32	12-26
GDD250-26	260	1426	450	360	14	450	950	630	350	405	32	12-22
GDD250-32	260	1680	450	360	24	450	950	680	355	405	32	12-28
GDD250-32A(B)	260	1600(1575)	450	360	24	450	950	680	355	405	32	12-28
GDD250-38(A)	265	1705	460	400	28	550	1100	750	355	405	32	12-26
GDD250-40A	360	1608	500	450	24	500	1100	665	350	405	32	12-22
GDD250-50	290	1863	450	360	24	470	1020	760	355	405	32	12-28
GDD250-50A(B)	290	1813(1743)	450	360	24	470	1020	760	355	405	32	12-28
GDD300-15(A)	310	1160(1095)	480	400	27	500	1050	670	410	460	35	12-28
GDD300-17(A)	290	1610(1580)	460	400	28	500	1100	665	410	460	34	12-26
GDD300-22	290	1610	460	400	28	500	1100	690	410	460	34	12-26
GDD300-24(A)	310	1600(1575)	480	400	14	500	1050	690	410	460	35	12-28
GDD300-32(A)	255	1800	500	440	28	500	1000	710	410	460	34	12-26
GDD300-38F	265	2240	560	500	28	550	1100	730	410	460	35	12-28
GDD300-38FA	265	2070	560	500	28	550	1100	730	410	460	35	12-28
GDD300-38G	265	2270	560	500	28	550	1100	730	410	460	35	12-28
GDD300-38GA	265	2240	560	500	28	550	1100	730	410	460	35	12-28
GDD300-40	360	1676	500	450	25	500	1100	750	410	460	34	12-26
GDD300-40A	360	1606	500	450	25	500	1100	750	410	460	34	12-26
GDD300-50	270	2145	560	500	27	600	1200	940	410	460	35	12-28

## 外形及安装尺寸 INSTALLING DIMENSIONS

型号 Model	外形尺寸 Outline dimensions								法兰尺寸 Flange size			
	h	H	L	B	φd <sub>1</sub>	E	F	G	φD <sub>1</sub>	φD	b	n-d
GDD300-50A	270	2095	560	500	27	600	1200	940	410	460	35	12-28
GDD300-65	270	2145	560	500	27	600	1200	940	410	460	35	12-28
GDD300-65A	270	2095	560	500	27	600	1200	940	410	460	35	12-28
GDD350-17	320	1835	510	460	28	750	1500	730	470	520	36	16-28
GDD350-17A	320	1835	510	460	28	750	1500	730	470	520	36	16-28
GDD350-20(A)	290	1855(1770)	450	400	28	500	1100	760	470	520	36	16-26
GDD350-26(A)	290	1610(1580)	460	400	28	500	1100	665	400	460	34	12-22
GDD350-32	290	1950	560	500	27	550	1100	780	470	520	36	16-28
GDD350-32A(B)	290	1770(1750)	560	500	27	550	1100	780	470	520	36	16-28
GDD350-44	300	2280	510	450	28	600	1200	940	460	520	36	16-22
GDD350-44A(B)	300	2235	510	450	28	600	1200	940	460	520	36	16-22
GDD400-12.5(A)	385	2055(1985)	650	570	32	750	1500	956	515	580	40	16-28
GDD400-20(A)	385	2260(2105)	650	570	32	750	1500	996	515	580	40	16-28
GDD400-32	320	2335	580	500	32	800	1600	1115	515	565	34	16-28
GDD400-32A(B)	320	2335(2155)	580	500	32	800	1600	1115	515	565	34	16-28
GDD500-13	400	2235	1180	1060	40	775	1550	976	620	670	34	20-28
GDD500-22(A)	400	2550	1180	1060	40	775	1550	1000	620	670	34	20-28
GDD500-27	400	2850	1180	1060	40	775	1550	1000	620	670	34	20-28

### 安装

▲安装前检查管路系统及泵体应清除固体硬物，以免损坏叶轮或堵塞流道，影响泵的性能。

▲安装时管路重量不允许加在泵上，以免泵变形，影响正常运转。

▲在泵的进出口管路上安装调节阀，并在泵进出口法兰上装上压力表，以控制泵在额定工况内运行，确保泵的正常运行。(出口压力-进口压力=泵扬程)。

▲排出口如装单向阀门应装在闸阀外面。

### INSTALLATION

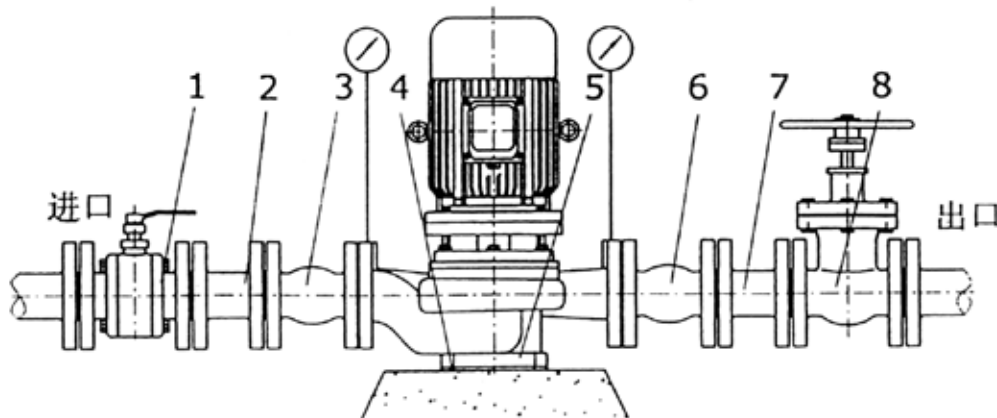
\*Check the pipeline system and pump casing before installation, in order to clear away the hard things which will damage the impeller and clog the flow passage, even will influence the performance of the pump.

\*The weight of the pipes should not add to the pump, if not, it will damage the pump or influence the normal operation.

\*Install the control valve to he inlet and outlet pipeline and install the pressure gauge to the inlet and outlet flange, to control the pump operate in the rated capacity and normal operation.( outlet pressure-inlet pressure=pump head).

\*If install the non-return valve in the discharge, it should be installed after the check valve.

- |           |                              |
|-----------|------------------------------|
| 1. 进口球阀   | 1. Inlet ball valve          |
| 2. 直短管    | 2. Straight tube             |
| 3. 挠性橡胶接头 | 3. Flexible plastic joint    |
| 4. 橡胶隔振垫片 | 4. Vibration damping washer. |
| 5. 底板     | 5. Base plate                |
| 6. 挠性橡胶接头 | 6. Flexible plastic joint    |
| 7. 直短管    | 7. Straight tube             |
| 8. 出口闸阀   | 8. Outlet check valve        |





全国统一服务热线 400 604 3398

地 址：广州市海珠区科韵南路133号  
生产中心地址：佛山市南海区狮山镇虹岭路2号之二  
销售部电话：(020) 66834613 66834616 66834618  
技术咨询：(0757) 81093982  
维修部电话：(020) 66834630 66834631  
服务投诉：(020) 66834612

传 真：(020) 66834619 66834629  
E - mail: sales@gygc.com  
网 址 URL: www.gypump.com

说明书内容如有改动，恕不另行通知  
All specifications subject to change without notice

A-GDD20160901